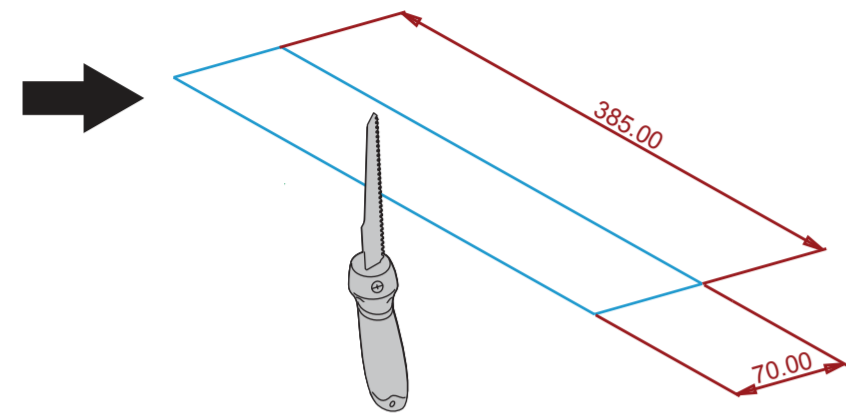
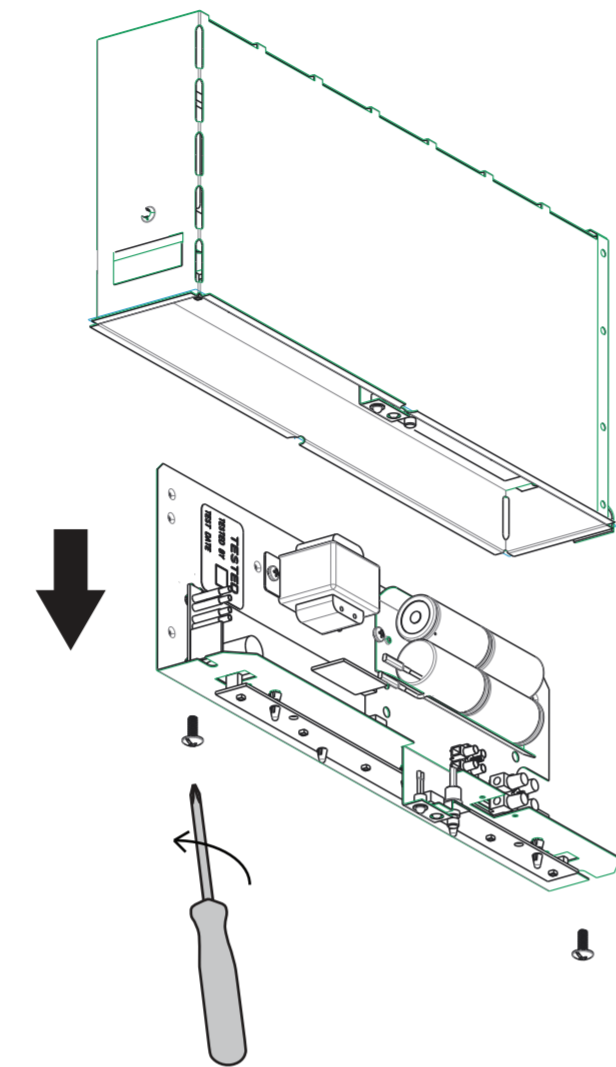


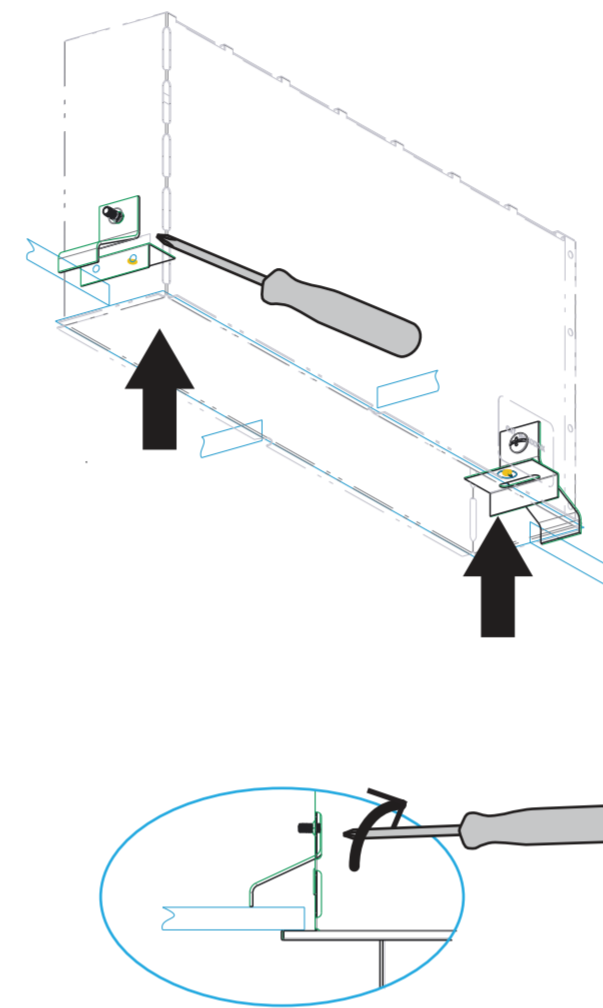
Ceiling cut-out to be 70 X 385 mm



Dismantle the Geartray from the body

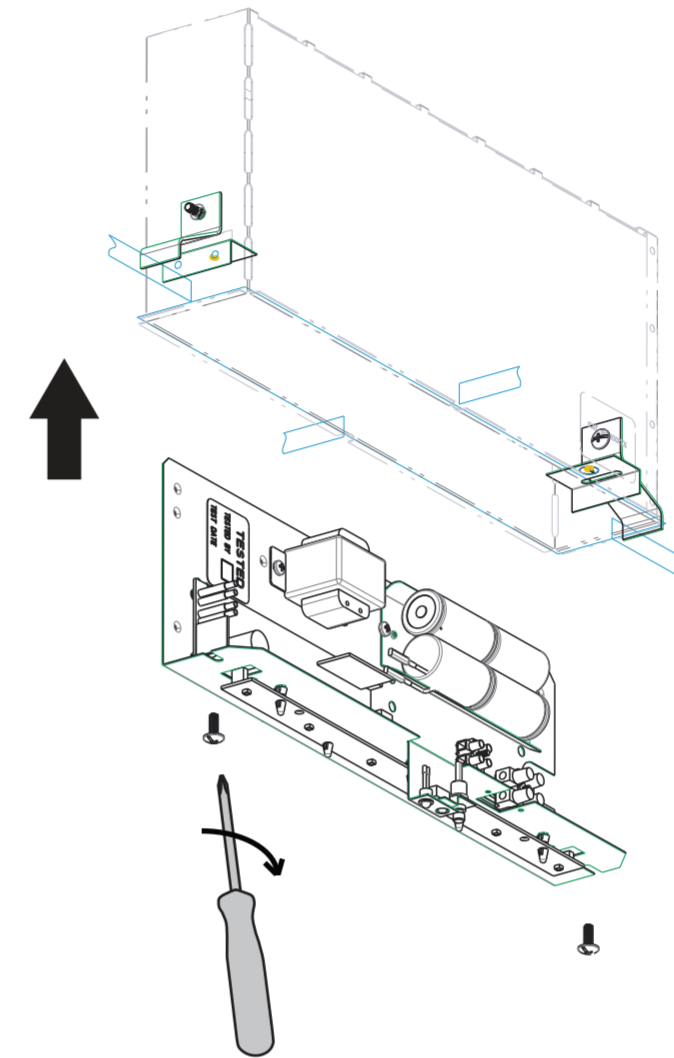


Insert body in the ceiling +fix the ceiling clips (provide in the pack 2X) untill the body is secure in the ceiling

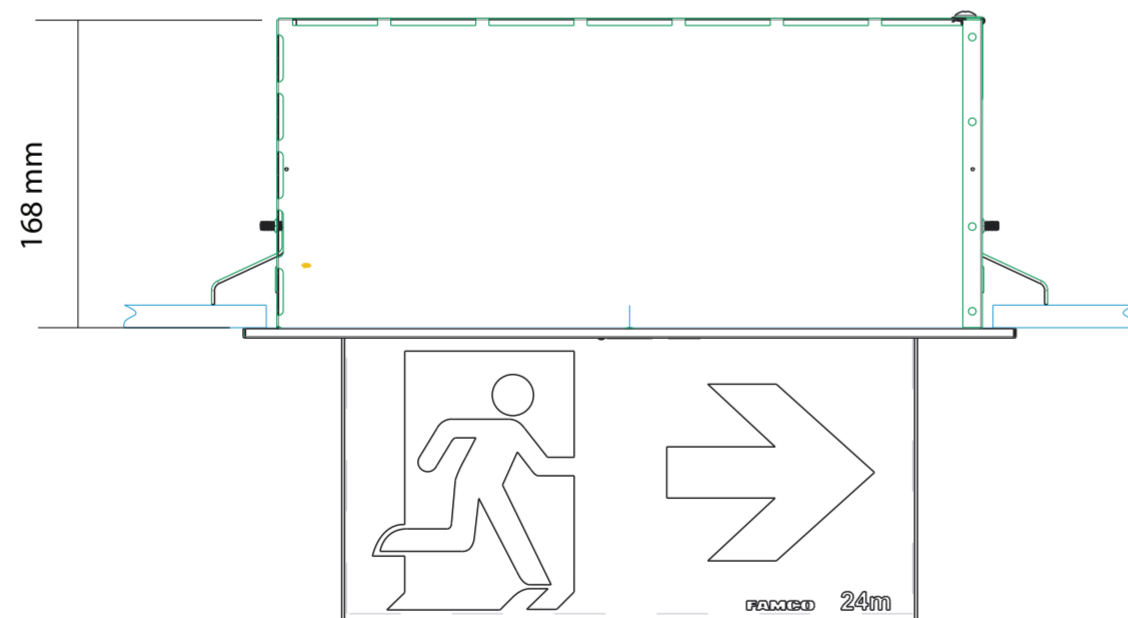
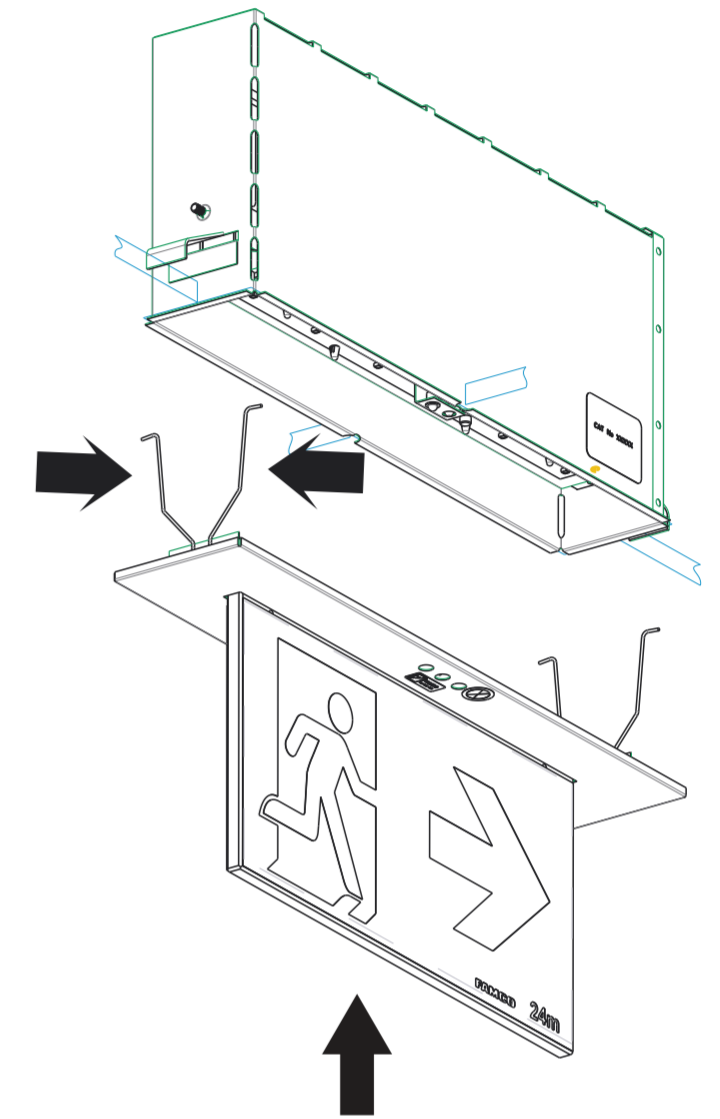




Direction of the clip is important must fixed from inside the box

Insert Geartray with screws (2X)



Fix the face plate with appropriate decal panel and then push the spring clips on the body slot until it's flus to the ceiling and secure.



DO NOT SCALE		LIFECYCLE STATE		DESIGN		 Tel +61 3 99357300 Fax +61 3 99357301 www.famco.com.au	
<small>FAMCO LIGHTING PTY. LTD. ALL RIGHTS RESERVED. THIS DRAWING MAY NOT BE REPRODUCED OR TRANSMITTED IN ANY FORM OR BY ANY MEANS, IN PART OR IN WHOLE, WITHOUT THE WRITTEN PERMISSION OF FAMCO LIGHTING PTY. LTD.</small>		<small>GENERAL TOLERANCES UNLESS SPECIFIED</small> LINEAR: ±3 STEP SIZE: ±0.1 ±3 - 6mm: ±0.1 6 - 30mm: ±0.15 30 - 120mm: ±0.2 ANGULAR: ±120	DRAWN BY: DVI DESIGN REVIEW: XXXXX PD REVIEW: XXXXX CTO REVIEW: XXXXX	DATE: 21/06/17 XXXXX XXXXX XXXXX	TITLE: MIRAGE INSTALLATION		FILE NO.: - REVISION: A
THIRD ANGLE PROJECTION 	MATERIAL: SEE PARTS	COATING: NIL	SCALE: 0.25	SHEET: A2	CAT NO.: F9917	FILE NO.:	REVISION: A
<small>UNLESS OTHERWISE STATED ALL DIMENSIONS IN MM SHEET 2 OF 2</small>							