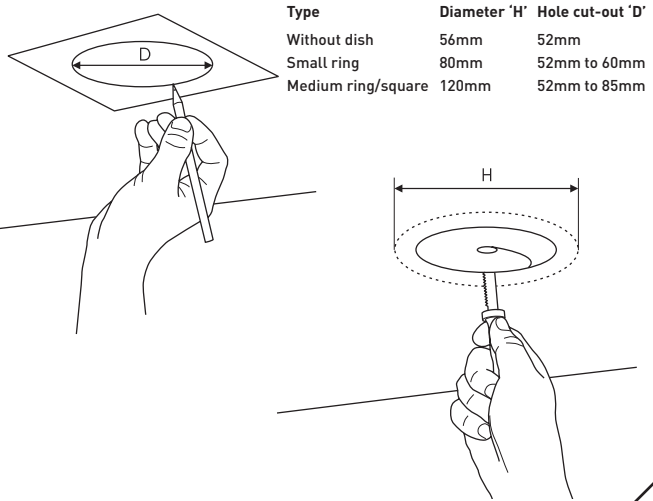


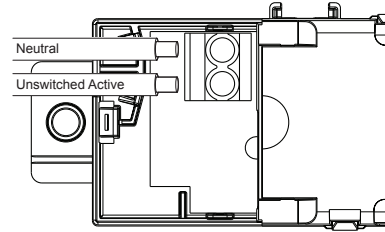
Ceiling cut out template – recessed installation



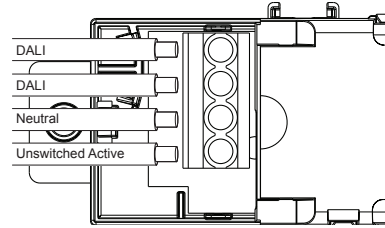
Type	Diameter 'H'	Hole cut-out 'D'
Without dish	56mm	52mm
Small ring	80mm	52mm to 60mm
Medium ring/square	120mm	52mm to 85mm

Mains supply connection – recessed installation

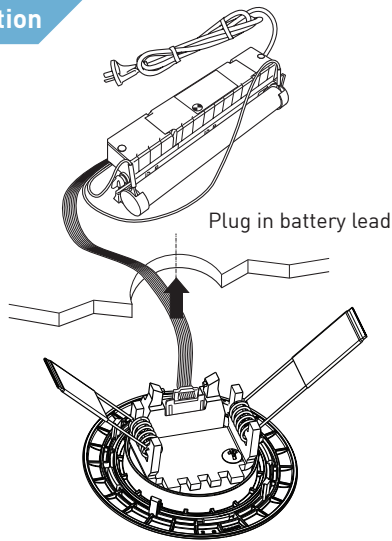
For stand alone and FMX models, supplied complete with flex and plug.



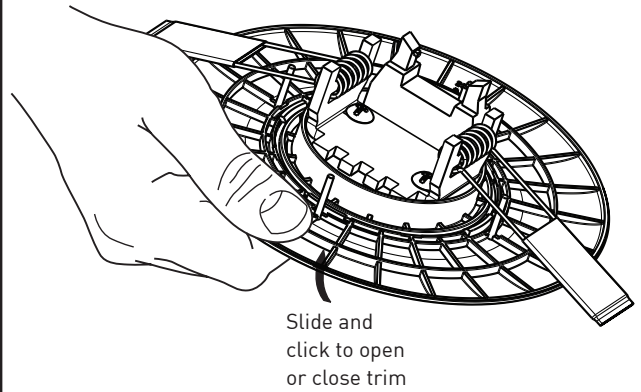
For DALI models



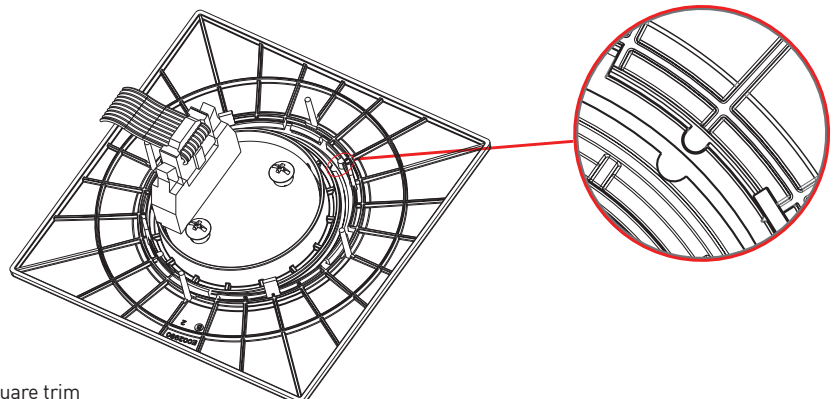
Recessed installation



Changing trim size for non asymmetric models

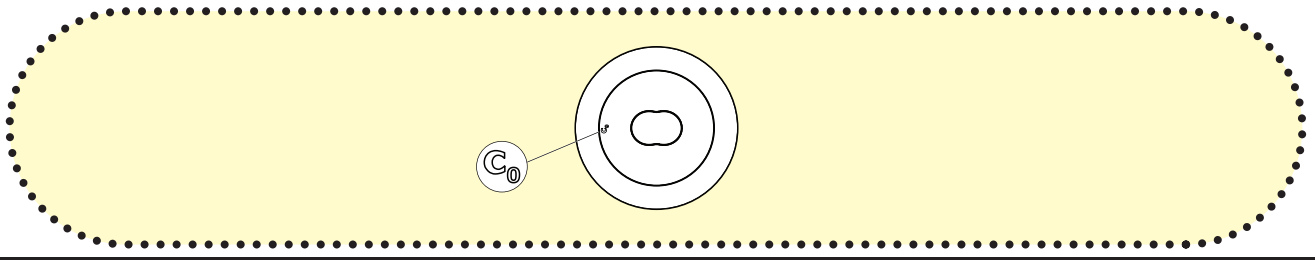


Changing trim size for asymmetric models with square trim



Ensure locators are in position prior to securing the square trim

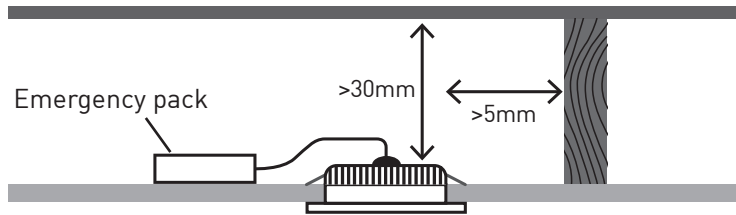
Asymmetric Goldstar



NOTE: Ensure the "C" symbol is parallel to the wall

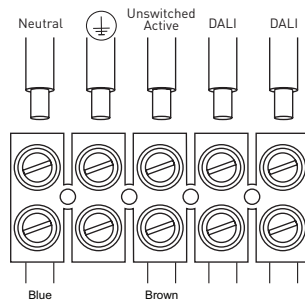
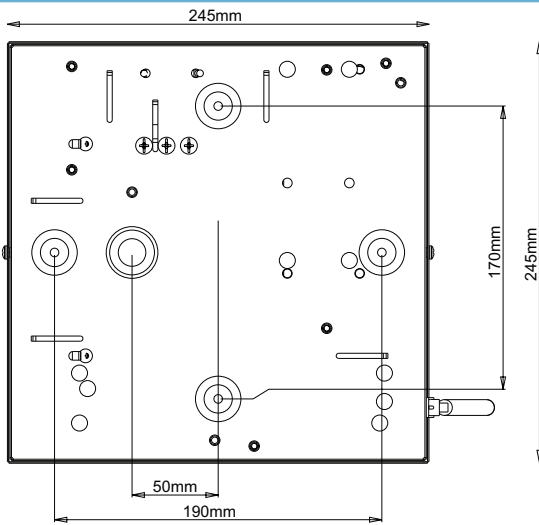
Minimum ceiling void

NO INSULATION



Note: Ensure emergency pack is above insulation

Surface mount installation – Direct onto the ceiling using mounting holes shown below



DALI terminal connection is applicable to DALI models only.

