

Goldstar LED Maximus-Freezer

A non-maintained emergency luminaire with D100 emergency classification designed for cool rooms or applications which requires a remote gear.

FEATURES

- Suitable for both small and large areas, high ceilings including cool and freezer room applications.
- One high Brightness LED.
- D100 Emergency classification.
- SPU and Masterminder options.
- Surface Mounted with remote gear.
- 3 meter cable included.
- IP65
- IK07
- 5 Year Warranty for Li-ion options.
- Designed and Manufactured in Australia.



APPLICATIONS

- Distribution centres
- Food preparation areas
- Freezer rooms

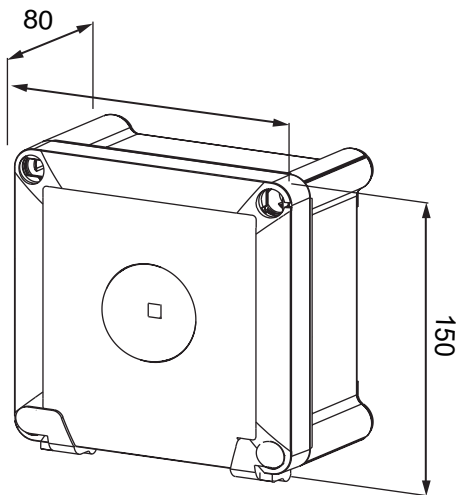
TECHNICAL INFORMATION

- Battery Pack: Li-ion 4 X 18650-cell 12.8 V 1.5 Ah
- Mode of operation: Non-maintained
- Nominal Input Voltage: 230 - 240 V a.c 50 Hz
- Operating Temperature: -40° C to 40° C for LED Head
10° C to 40° C for Remote Gear
- Lighting Classification: C₀/C₉₀ D100
- Light Source Life: 100,000 hrs
- Body Construction: Polycarbonate
- IP Rating: IP65
- IK Rating: IK07
- Compliance: AS/NZS 2293, AS/NZS 60598

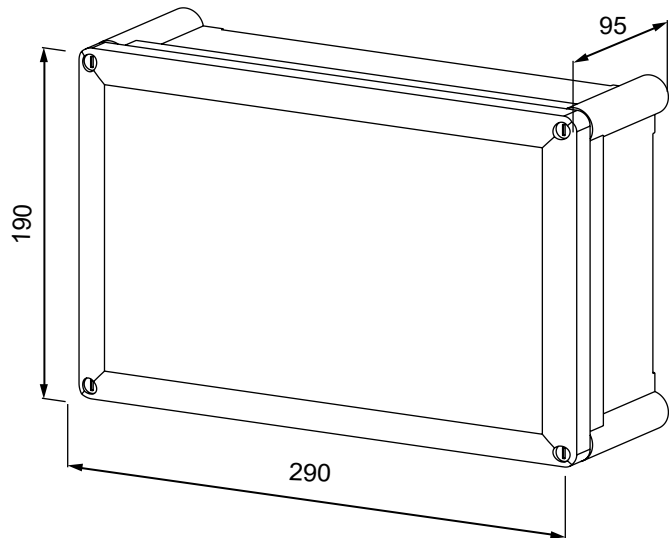
Cat. No	Description
SPU	
F9996/LI	LED GOLDSTAR MAXIMUS FREEZER LITHIUM GREY REMOTE GEAR
MASTERMINDER	
FX9996/LI	LED GOLDSTAR MAXIMUS FREEZER LITHIUM FMX GREY REMOTE GEAR
ACCESSORY	
F9996/LEAD	LED GOLDSTAR MAXIMUS FREEZER 10MM EXTENSION CABLE

Goldstar LED Maximus-Freezer

DIMENSIONS



LED Head



Remote gear

SPACING TABLE

Maximum spacings between luminaires for 0.2 lux (Australia)

Installation Height	3m	3.3m	3.6m	4m	4.5m	5m
Distance	16.5m	18.1m	19.8m	22.0m	24.7m	27.5m

As per AS/NZS 2293:2018

Maximum spacings between luminaires for 1 lux (New Zealand)

Installation Height	3m	3.3m	3.6m	4m	4.5m	5m
Distance	14.4m	14.8m	15.1m	15.4m	15.8m	16.0m

As per AS/NZS 2293:2018

Note: All dimensions are in mm.