

Eco Rapid LED Exit



ECO RAPID

A general purpose exit sign designed for wall or ceiling installations



FEATURES

- Rapid slide bracket
- Drop in decals
- 50,000 hours LED life
- Large terminal block for ease of connection
- T-sense™ temperature sensing technology for the LIION battery
- Electronics designed to lengthen the life of the battery, minimising maintenance costs
- Environmentally friendly battery
- 3 year warranty
- Designed in Australia

APPLICATIONS

- Commercial office
- Educational facilities
- Hospitality

TECHNICAL INFORMATION

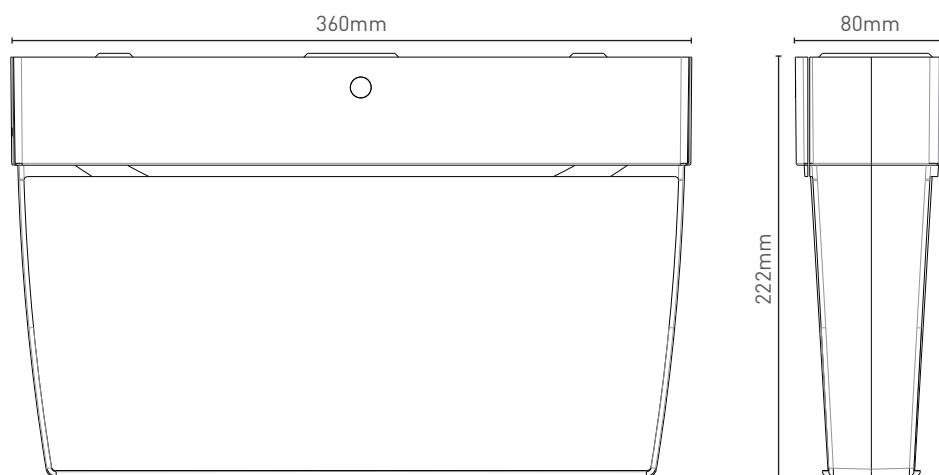
- Mode of operation: Maintained
- Supply voltage: 240V a.c. +/- 6% 50Hz
- Power consumption: 3W
- Battery: Li-ion 6.4V 570mAh
- Operating temperature: 10° to 40°
- IP rating: IP20
- Body construction: Polycarbonate
- Diffuser construction: Polycarbonate
- Compliance: AS/NZS 2293 AS/NZS 60598  



SPU	
Cat No	Description
F9970/LI	ECO Rapid LED Exit white Lithium

Classification	Maximum spacing between luminaires Mounting Height (Metres)				
	Metres	2.7	3	3.3	3.6
D3.2	6.6	6.5	6.4	6.2	5.8

DIMENSIONS



More info available at:
www.famco.com.au

FAMCO LIGHTING PTY LTD

T: (03) 9935 7300 F: (03) 9935 7301 E: info@famco.com.au W: www.famco.com.au

© 2016 Famco Lighting Pty Ltd All rights reserved. E&OE. Subject to change without notice, to allow progress in design. This document and the information it contains is the property and copyright of Famco Lighting Pty Ltd and must not be used, copied, transmitted or reproduced without our written permission.

